

YU-TB SERIES (3-Phase 3-Wire Filters)



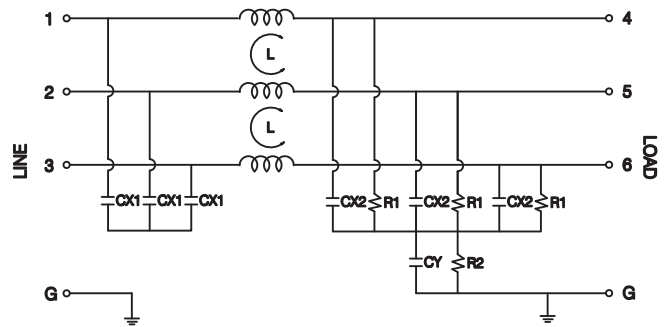
Features

- Good noise attenuation in both forward and reverse directions for common mode and normal mode
- 3-phase 3-wire filters 7 to 100A current rating
- Compact dimensions, Vertical agency, easy connection terminal block
- Typical applications in Electrical and electronic equipment, automation equipment, inverters and converters, UPS-Systems, Frequency Converters, servo drives, Power supplies, Stepper Motor Drives

Technical Specification

Rated voltage	480 VAC
Rated currents	7 to 100A
Operating frequency	50/60Hz
Operating temperature	-25 to +85°C

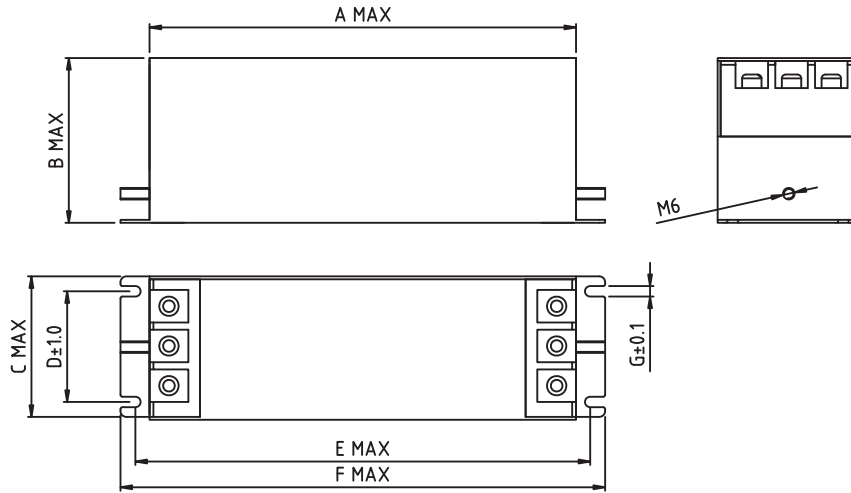
Typical electrical schematic



Filter Selection Table

Part No.	Rated Current (A)	Rated voltage (VAC)	Input/output connections
YU07TB10	7		
YU16TB20	16		
YU30TB30	30		
YU42TB60	42		
YU55TB60	55		
YU75TB80	75		
YU100TB100	100		

Physical Dimensions: (mm)



Dimension	A	B	C	D	E	F	G	Terminal
YU07TB10	160	70	38.5	21.6	174.6	190	5.4	TB10
YU16TB20	220	70	44	28.6	234.6	250	5.4	TB20
YU30TB30	240	85	50.5	33.6	254.6	270	5.4	TB30
YU42TB60	220	85	74	57.1	234.6	250	5.4	TB60
YU55TB60	240	85	74	57.1	254.6	270	5.4	TB60
YU75TB80	240	135	74	57.1	254.6	270	5.4	TB80
YU100TB100	240	135	93	76.1	254.6	270	5.4	TB100

Typical filter attenuation (Common mode — Normal mode —)

