

YU-HD SERIES (3-Phase 3-Wire Filters)



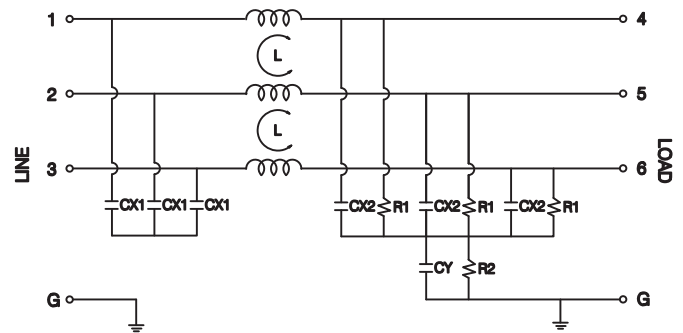
Features

- Good noise attenuation in both forward and reverse directions for common mode and normal mode
- 3-phase 3-wire filters 7 to 100A current rating
- Compact dimensions, Vertical agency, easy connection terminal block
- Typical applications in Electrical and electronic equipment, automation equipment, inverters and converters, UPS-Systems, Frequency Converters, servo drives, Power supplies, Stepper Motor Drives

Technical Specification

Rated voltage	480 VAC
Rated currents	7 to 100A
Operating frequency	50/60Hz
Operating temperature	-25 to +85°C

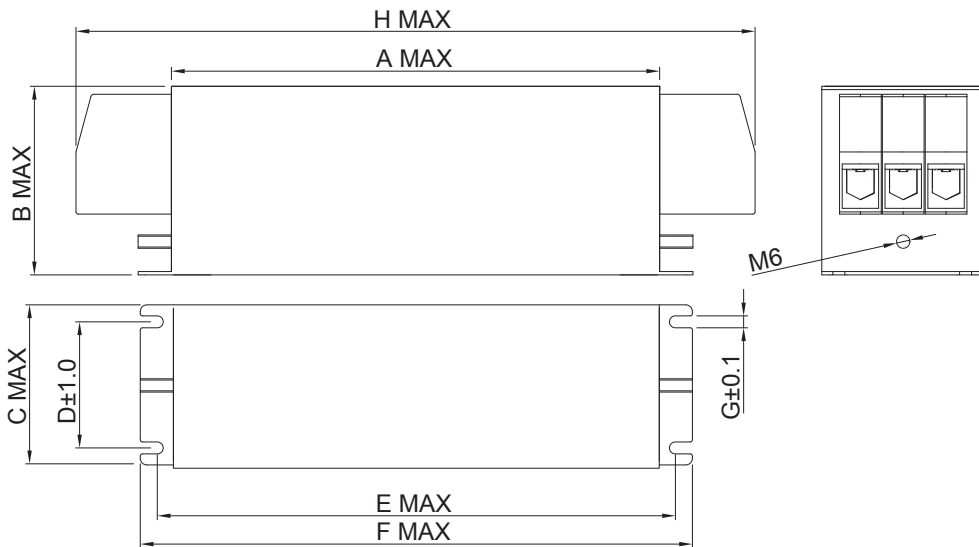
Typical electrical schematic



Filter Selection Table

Part No.	Rated Current (A)	Rated voltage (VAC)	Input/output connections
YU07HD10			HD10
YU16HD10			HD10
YU30HD10			HD10
YU42HD50			HD50
YU55HD50			HD50
YU75HD50			HD50
YU100HD95			HD95

Physical Dimensions: (mm)



Dimension	A	B	C	D	E	F	G	H	Terminal
YU07HD10	160	70	38	21.6	174.6	190	5.4	209	HD10
YU16HD10	220	70	46	28.6	234.6	250	5.4	269	HD10
YU30HD10	240	85	50.5	33.6	254.6	270	5.4	289	HD10
YU42HD50	220	85	74	57.1	234.6	250	5.4	306	HD50
YU55HD50	240	85	74	57.1	254.6	270	5.4	326	HD50
YU75HD50	240	135	74	57.1	254.6	270	5.4	326	HD50
YU100HD95	240	135	93	76.1	254.6	270	5.4	341	HD95

Typical filter attenuation (Common mode — Normal mode —)

