

# YH SERIES (3-Phase 3-Wire Filters)



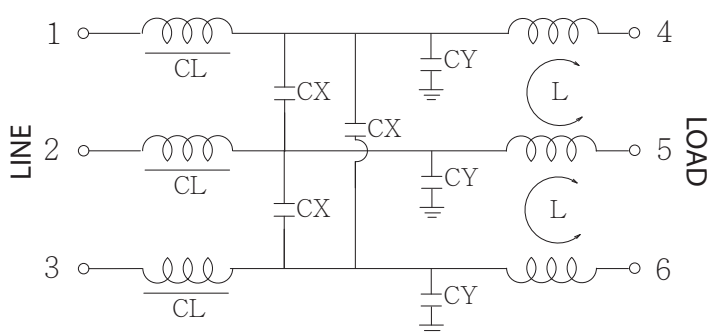
## Features

- Good noise attenuation in both forward and reverse directions for common mode and normal mode.
- High reliability designed for industrial equipment usage with 3-phase 3-wire filter.
- The rated current can be offered from 10 to 30 amp in both 250VAC and 500VAC versions.
- M4 Screw Terminals for output is designed for easy installation.
- Applications comprising frequency inverters, motor drives and servo drives, Three-phase applications automation equipment.

## Technical Specification

|                              |                        |
|------------------------------|------------------------|
| Rated voltage                | 125/250VAC, 250/500VAC |
| Rated currents               | up to 30A              |
| Operating frequency          | 50/60Hz                |
| Hipot rating(Line-to-line)   | 1450VDC                |
| Hipot rating(Line-to-ground) | 2250VDC                |
| Operating temperature        | -25~+85°C              |
| Safety compliance            | CE                     |

## Typical electrical schematic



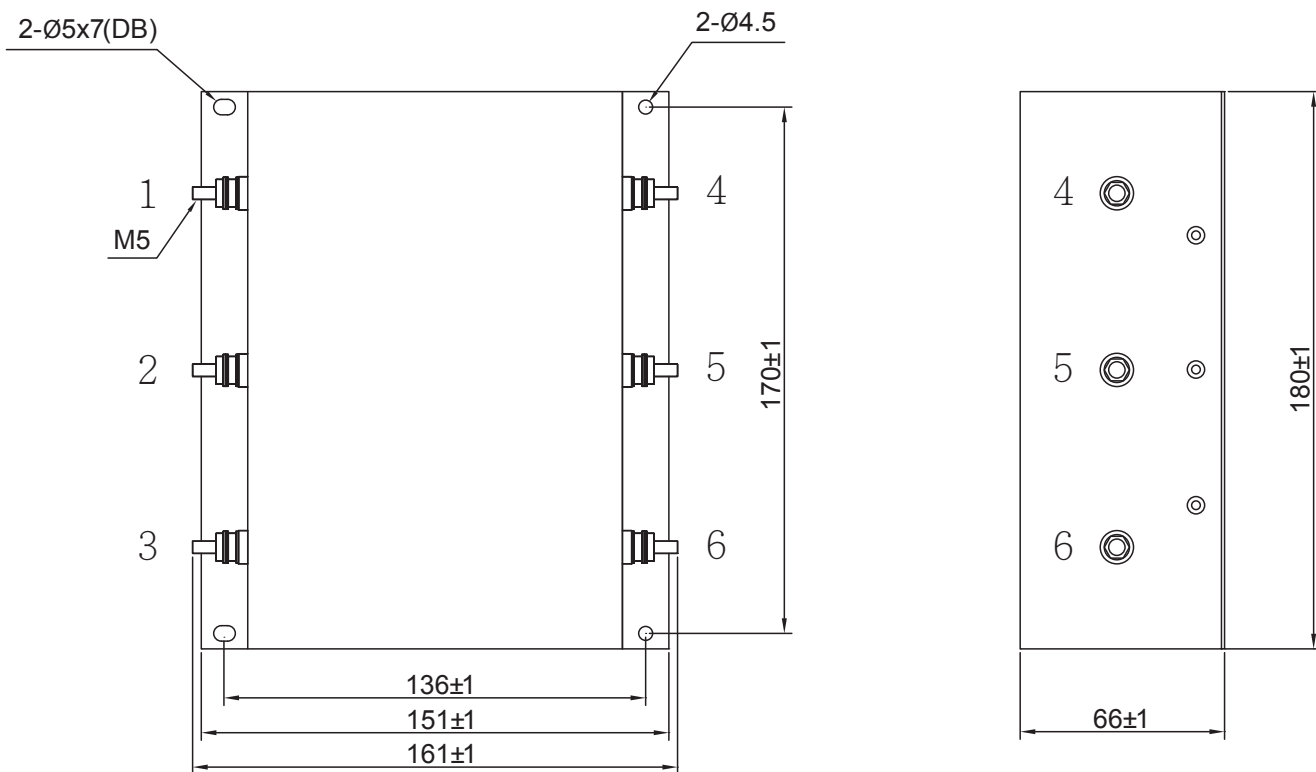
## Filter Selection Table

| Part No. | Rated Current (A) | Inductance CL(mH) | Inductance L(mH) | Capacitance CX( $\mu$ F) | Capacitance CY(pF) | Output connections |
|----------|-------------------|-------------------|------------------|--------------------------|--------------------|--------------------|
| YH10T4   | 10                |                   |                  |                          |                    | M4 Screw terminals |
| YH15T4   | 15                |                   |                  |                          |                    |                    |
| YH20T4   | 20                |                   |                  |                          |                    |                    |
| YH30T4   | 30                |                   |                  |                          |                    |                    |
| YH10T4-1 | 10                |                   |                  |                          |                    |                    |
| YH15T4-1 | 15                |                   |                  |                          |                    |                    |
| YH20T4-1 | 20                |                   |                  |                          |                    |                    |
| YH30T4-1 | 30                |                   |                  |                          |                    |                    |

\*blank:125/250VAC;-1:250/500VAC

# Physical Dimensions: (mm)

YH-T4



## Typical filter attenuation (Common mode — Normal mode —)

